



# neelnox

LET  
THERE  
BE **DESIGN.**



## FEATURES

- Premium 304 Grade Stainless Steel
- Solid Mount Construction
- Concealed Installation Hardware
- State of the art wall anchors included for installation on Dry wall or Tile

## COLLECTION FORM CLASSIC

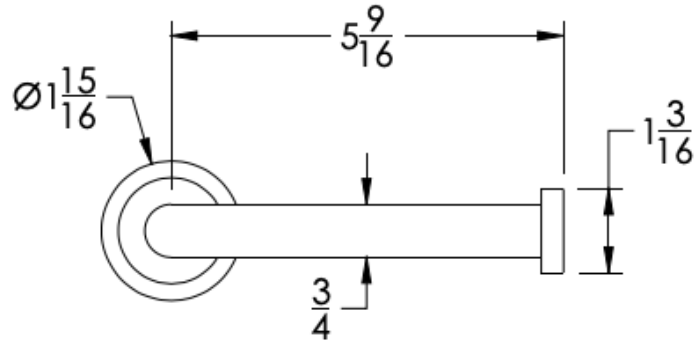
### TISSUE HOLDER

Model	Product	Finishes Available
FMC-TPHR	Tissue Holder (Facing Right)	Multiple finishes available. Over 23 finishes to choose from.
FMC-TPHL	Tissue Holder (Facing Left)	

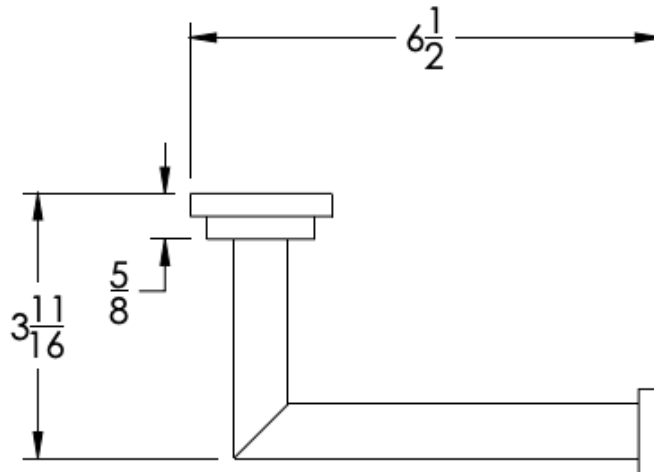
FINISHES			
	Polished (-P)	Antique Copper (-ACOP)	Polished Gold (-PGLD)
	Brushed (-B)	Polished Brass (-PBR)	Brushed Copper (-BCOP)
	Brushed Gold (-BGLD)	Matte White (-WHT)	Brushed Rose Gold (-BRGD)
	Matte Black (-BLK)	Brushed Modern Bronze (-BMBRZ)	Brushed Black (-BRBLK)
	Oil Rubbed Bronze (-ORB)	Glossy White (-GWHT)	Polished Black (-PBLK)
	Brushed Brass (-BBRS)	Polished Rose Gold (-PRGD)	Antique Nickel (-ANKL)
	Brushed Bronze (-BBRZ)	Unlacquered Brass (-UBRS)	Black Nickel (-NKBL)
	Antique Brass (-ABRS)	Polished Nickel (-PNKL)	

Dimensions in inches

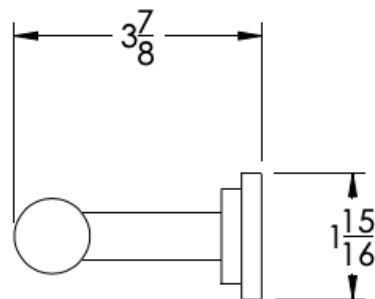
FRONT



TOP



SIDE



NOTE: Dimensions subject to change without notice.